



WORK HOLDING DEVICES

1



VERTICAL HANDLE

(Hold Down)1-1~1-6

2



HORIZONTAL HANDLE

(Hold Down)2-1~2-4

3



PUSH / PULL

(Straight Line)3-1~3-4

4



LATCH TYPE

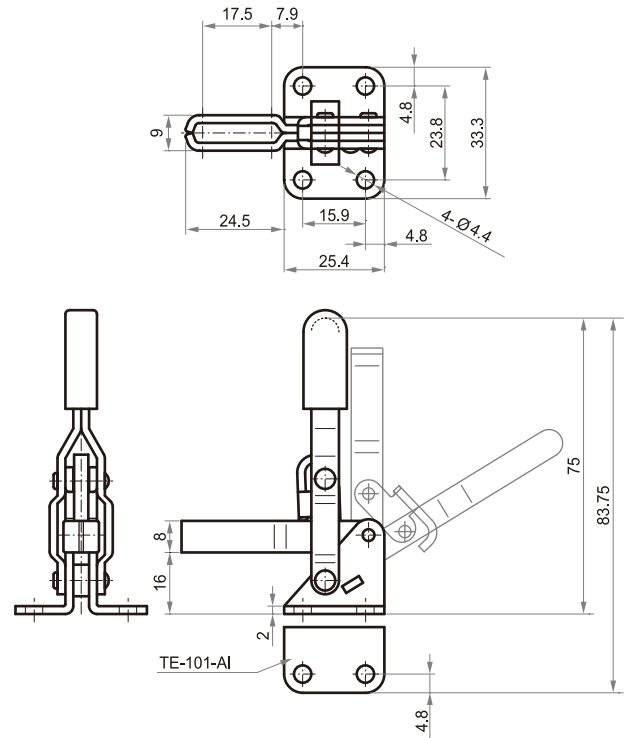
(Pull)4-1~4-2



Plastic injection molded hand grip

TE-101-A Series

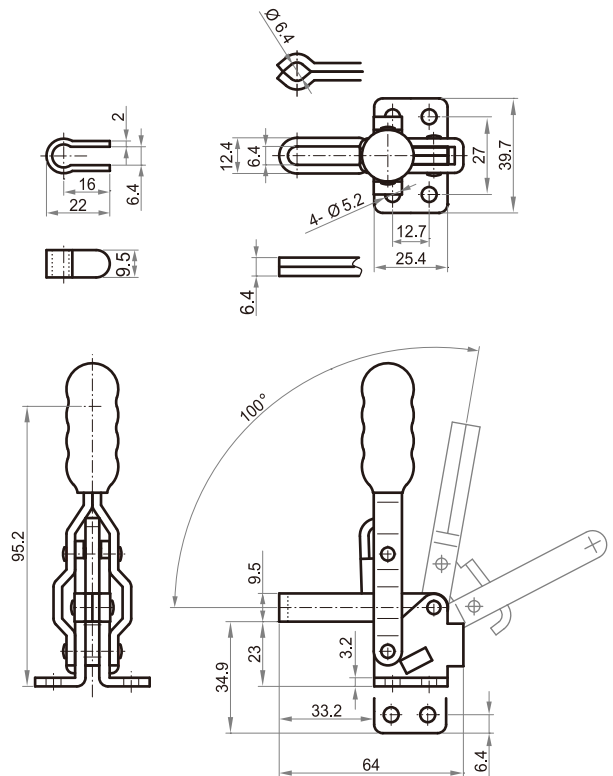
- WEIGHT: 60g
- HOLDING CAPACITY: 50kg
- SPINDLE SUPPLIED: TE-FC-10138
- BAR OPENS: 100°
- HANDLE OPENS: 56°



MODEL	DESCRIPTION
TE-101-A	U-BAR, FLANGED BASE, STRAIGHT HANDLE
TE-101-AI	U-BAR, STRAIGHT BASE, STRAIGHT HANDLE

TE-12050 Series

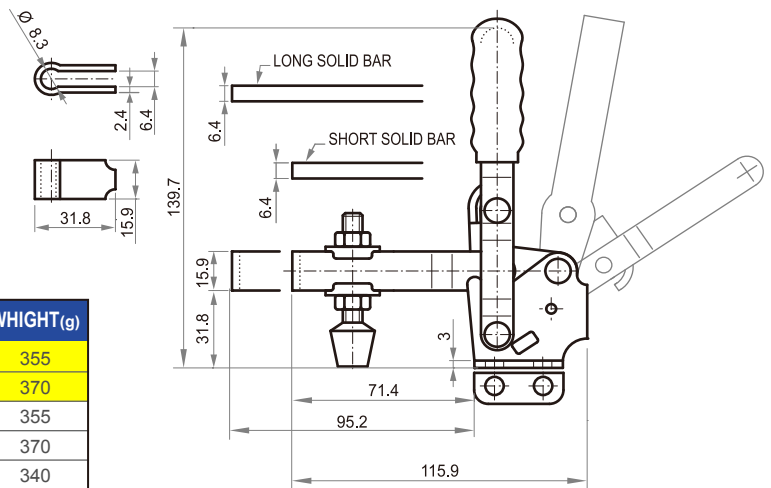
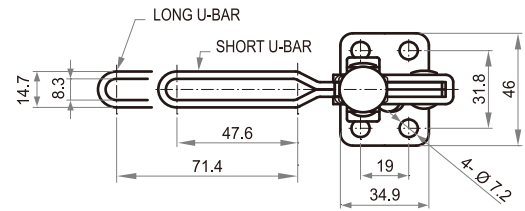
- WEIGHT: 170g
- HOLDING CAPACITY: 91kg
- SPINDLE SUPPLIED: TE-FC-14134
- BAR OPENS: 100°
- HANDLE OPENS: 60°



MODEL	DESCRIPTION
TE-12050	FIXED SPINDLE, FLANGED BASE, STRAIGHT HANDLE
TE-12050-U	U-BAR, FLANGED BASE, STRAIGHT HANDLE
TE-12055	FIXED SPINDLE, STRAIGHT BASE, STRAIGHT HANDLE
TE-12055-U	U-BAR, STRAIGHT BASE, STRAIGHT HANDLE
TE-12060	SOLID BAR, FLANGED BASE, STRAIGHT HANDLE
TE-12065	SOLID BAR, STRAIGHT BASE, STRAIGHT HANDLE
TE-12070	FIXED SPINDLE, FLANGED BASE, T-HANDLE
TE-12075	FIXED SPINDLE, STRAIGHT BASE, T-HANDLE
TE-12080	SOLID BAR, FLANGED BASE, T-HANDLE
TE-12085	SOLID BAR, STRAIGHT BASE, T-HANDLE

TE-12130 Series

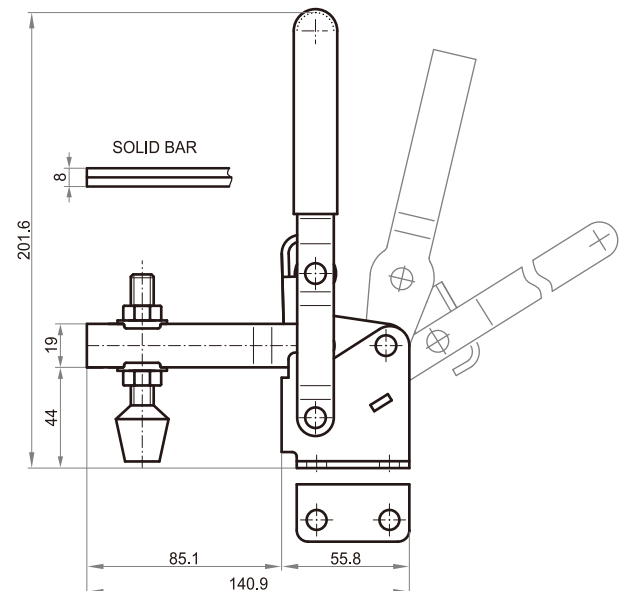
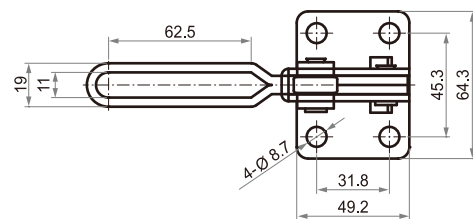
- HOLDING CAPACITY: 227kg
- SPINDLE SUPPLIED: TE-FC-56212
- BAR OPENS: 100°
- HANDLE OPENS: 60°



MODEL	DESCRIPTION	WHIGHT(g)
TE-12130	SHORT U-BAR, FLANGED BASE, STRAIGHT HANDLE	355
TE-12132	LONG U-BAR, FLANGED BASE, STRAIGHT HANDLE	370
TE-12135	SHORT U-BAR, STRAIGHT BASE, STRAIGHT HANDLE	355
TE-12137	LONG U-BAR, STRAIGHT BASE, STRAIGHT HANDLE	370
TE-12140	SHORT SOLID BAR, FLANGED BASE, STRAIGHT HANDLE	340
TE-12142	LONG SOLID BAR, FLANGED BASE, STRAIGHT HANDLE	355
TE-12145	SHORT SOLID BAR, STRAIGHT BASE, STRAIGHT HANDLE	340
TE-12147	LONG SOLID BAR, STRAIGHT BASE, STRAIGHT HANDLE	355

TE-12265 Series

- Hardened bushings
- HOLDING CAPACITY: 340kg
- SPINDLE SUPPLIED: TE-FC-38312
- BAR OPEN: 105°
- HANDLE OPENS: 58°

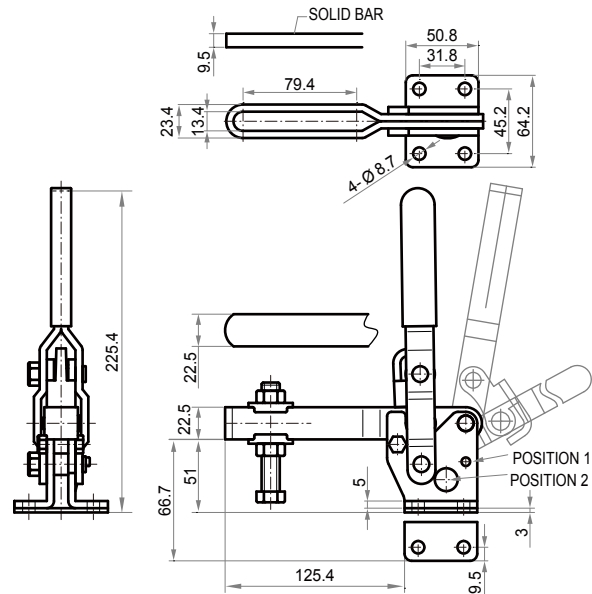


MODEL	DESCRIPTION	WHIGHT(g)
TE-12265	U-BAR, FLANGED BASE, STRAIGHT HANDLE	635
TE-12270	U-BAR, STRAIGHT BASE, STRAIGHT HANDLE	635
TE-12275	SOLID BAR, FLANGED BASE, STRAIGHT HANDLE	680
TE-12280	SOLID BAR, STRAIGHT BASE, STRAIGHT HANDLE	680

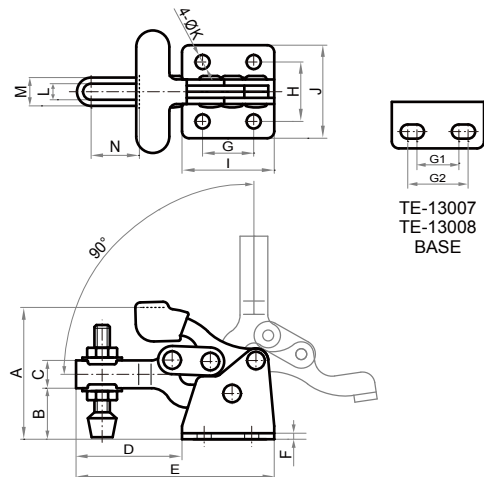
TE-10247 Series

- **Hardened bushings**
- WEIGHT: 1250g
- HOLDING CAPACITY: 450kg
- SPINDLE SUPPLIED: TE-SA-12300
- BAR OPENS: 100°-135°
- HANDLE OPENS: 58°-70°

MODEL	DESCRIPTION
TE-10247	U-BAR, FLANGED BASE
TE-10248	U-BAR, STRAIGHT BASE
TE-10249	SOLID BAR, FLANGED BASE
TE-10250	SOLID BAR, STRAIGHT BASE



TE-13005 Series

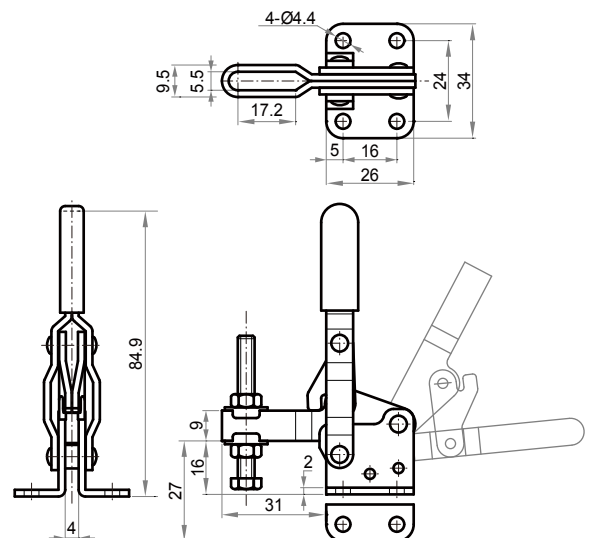


MODEL	WEIGHT	HOLDING CAPACITY(kg)	SPINDLE SUPPLIED	BAR OPENS	HANDLE OPENS	A	B	C	D	E	F	G	G1	G2	H	I	J	K	L	M	N
TE-13005	60	68	TE-FC-10138	90°	170°	35.2	12.7	7.9	30.8	57	2	13.5	-	-	15.9	26.2	25.4	4.4	5.6	9	12.7
TE-13007	230	150	TE-FC-56212	90°	170°	58.7	22.2	12.7	50.1	93.7	3.2	-	19	27	29.4	44	46	7	8.8	15.2	19.5
TE-13008	630	320	TE-FC-38312	90°	170°	88.1	33.3	19	67.5	135	3.2	-	31	39	38.1	64.3	62.7	7.9	10.4	19	28.9

TE-10751 Series

- WEIGHT: 50g
- HOLDING CAPACITY: 75kg
- SPINDLE SUPPLIED: TE-SA-055008
- BAR OPENS: 130°-195°
- HANDLE OPENS: 90°-125°

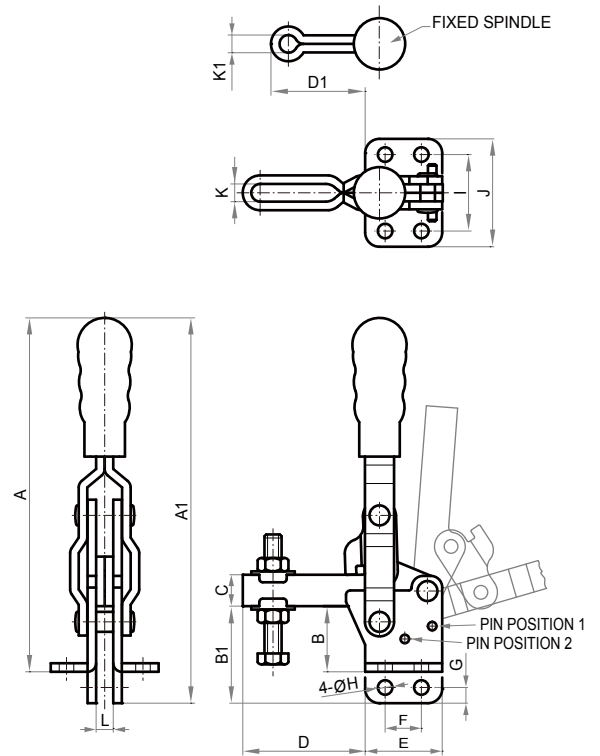
MODEL	DESCRIPTION
TE-10751-B	U-BAR, STRAIGHT BASE
TE-10752-B	U-BAR, FLANGED BASE



TE-11501 Series

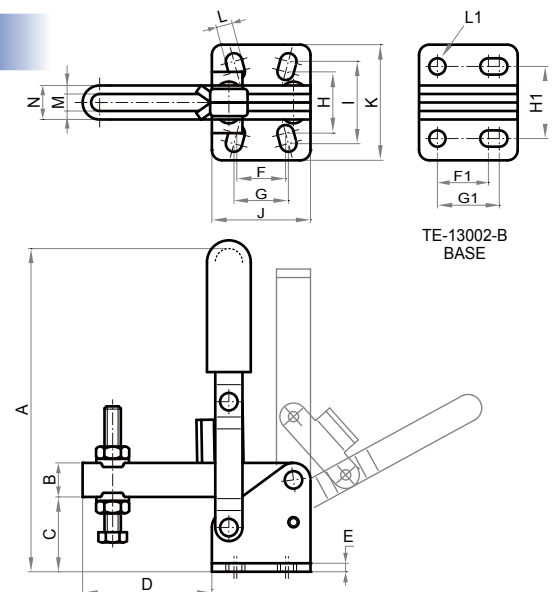


MODEL	A	A1	B	B1	C	D	D1	E	F	G	H	I	J	K	K1	L
TE-11501-B	—	135	—	33.4	11	43	—	27	12.7	5.4	5.1	26.8	37.8	6.2	—	5.8
TE-11501-C	—	135	—	33.4	11	—	33	27	12.7	5.4	5.1	26.8	37.8	—	6.2	5.8
TE-11502-B	123	—	23	—	11	43	—	27	12.7	5.4	5.1	26.8	37.8	6.2	—	5.8
TE-11502-C	123	—	23	—	11	—	33	27	12.7	5.4	5.1	26.8	37.8	—	6.2	5.8
TE-12501-B	—	190	—	46	17.5	75	—	35	19	7	7.1	32	47	8.9	—	6
TE-12501-C	—	190	—	46	17.5	—	53	35	19	7	7.1	32	47	—	8.4	6
TE-12502-B	175	—	32	—	17.5	75	—	35	19	7	7.1	32	47	8.9	—	6
TE-12502-C	175	—	32	—	17.5	—	53	35	19	7	7.1	32	47	—	8.4	6
TE-13501-B	—	240	—	63.6	22	95	—	50	32	9.6	8.3	45	64	10.6	—	8
TE-13502-B	220	—	43	—	22	95	—	50	32	9.6	8.3	45	64	10.6	—	8



MODEL	WEIGHT	HOLDING CAPACITY(kg)	SPINDLE SUPPLIED	BAR OPENS	HANDLE OPENS	DESCRIPTION
TE-11501-B	150	150	TE-SA-065010	95° -185°	75° -110°	U-BAR, STRAIGHT BASE
TE-11501-C						FIXED SPINDLE, STRAIGHT BASE
TE-11502-B	380	250	TE-SA-085012	90° -150°	70° -100°	U-BAR, FLANGED BASE
TE-11502-C						FIXED SPINDLE, FLANGED BASE
TE-12501-B	800	350	TE-SA-108015	90° -180°	70° -100°	U-BAR, FLANGED BASE
TE-12501-C						FIXED SPINDLE, STRAIGHT BASE
TE-12502-B						U-BAR, FLANGED BASE
TE-12502-C						FIXED SPINDLE, FLANGED BASE
TE-13501-B						U-BAR, STRAIGHT BASE
TE-13502-B						U-BAR, FLANGED BASE

TE-11002 Series



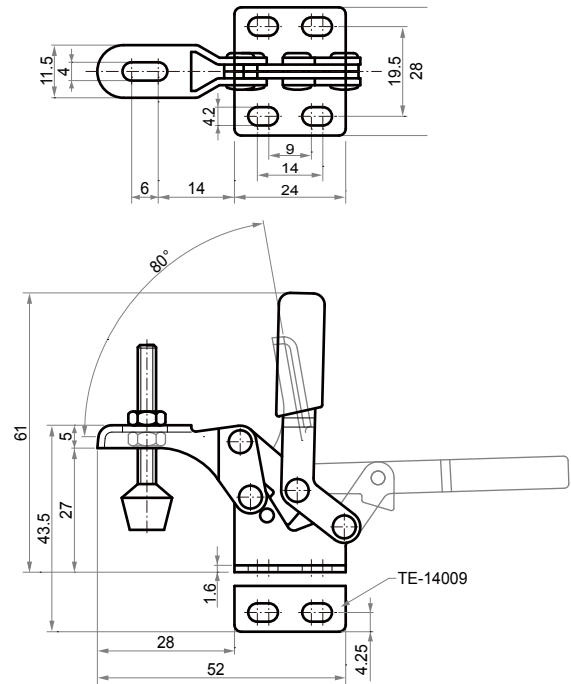
MODEL	WEIGHT	HOLDING CAPACITY(kg)	SPINDLE SUPPLIED	BAR OPENS	HANDLE OPENS	A	B	C	D	E	F	F1	G	G1	H	H1	I	J	K	L	L1	M	N
TE-11002-B	128	75	TE-SA-054008	96°	66°	97	10	22	38	2.5	14.3	-	16	-	18	-	24.2	29	34	8	-	5	10
TE-12002-B	170	150	TE-SA-064010	108°	70°	143	13	31	44	3.2	12.7	-	19	-	25	-	27	35	42	8	-	6.4	12.8
TE-13002-B	380	250	TE-SA-086512	106°	67°	196	19	35	100	3.2	-	19	-	25	-	33.5	-	43	51.1	-	8	8.8	12

TE-13009 Series

- WEIGHT: 40g
- HOLDING CAPACITY: 30kg
- SPINDLE SUPPLIED: TE-FC-044207
- BAR OPENS: 80°
- HANDLE OPENS: 88°

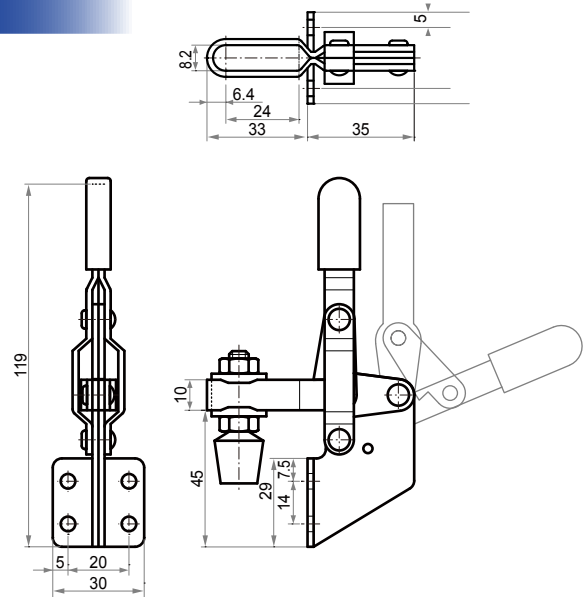
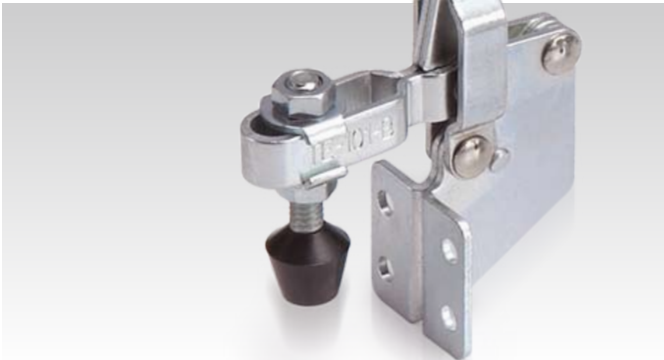


MODEL	DESCRIPTION
TE-13009	FLANGED BASE
TE-14009	STRAIGHT BASE



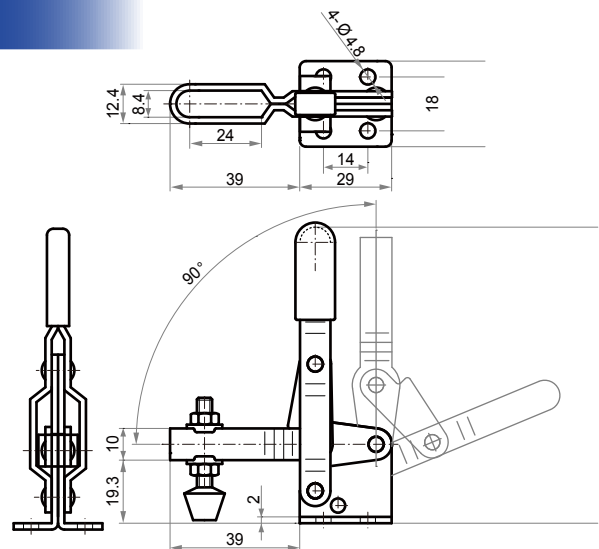
TE-101-B

- WHIGHT: 135g
- HOLDING CAPACITY: 100 kg
- SPINDLE SUPPLIED: TE-FC-14134
- BAR OPEN: 90°
- HANDLE OPENS: 65°



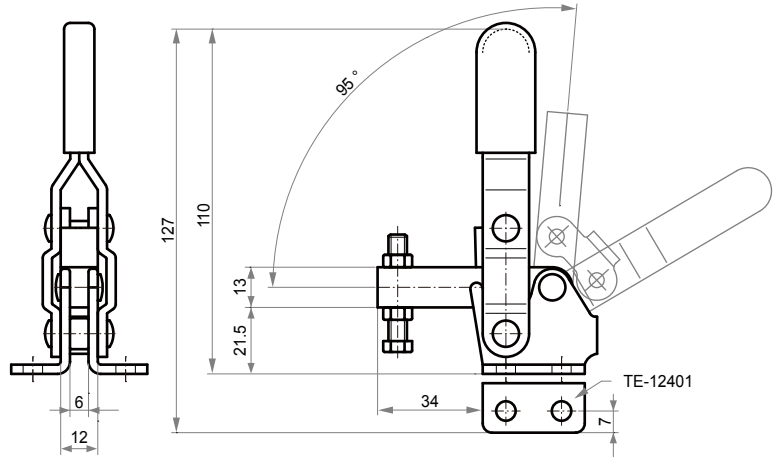
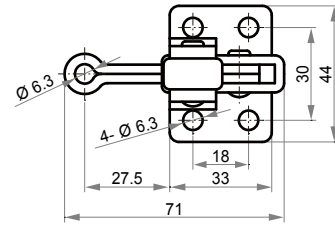
TE-102-B

- WHIGHT: 115 g
- HOLDING CAPACITY: 100 kg
- SPINDLE SUPPLIED: TE-FC-14134
- BAR OPEN: 90°
- HANDLE OPENS: 65°



TE-11401 Series

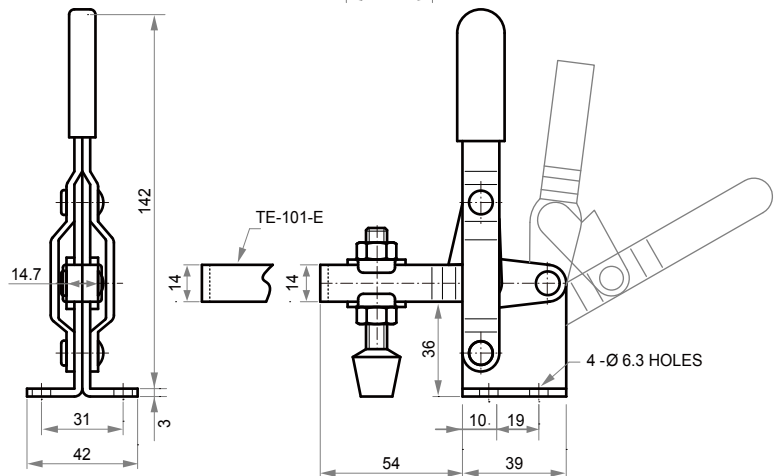
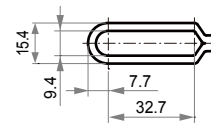
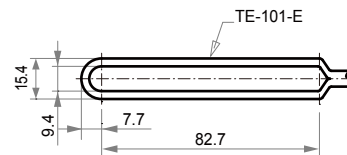
- WEIGHT: 200g
- HOLDING CAPACITY: 100kg
- SPINDLE SUPPLIED: TE-SA-064010
- BAR OPENS: 95°
- HANDLE OPENS: 65°



MODEL	DESCRIPTION
TE-11401	FLANGED BASE
TE-12401	STRAIGHT BASE

TE-101-D

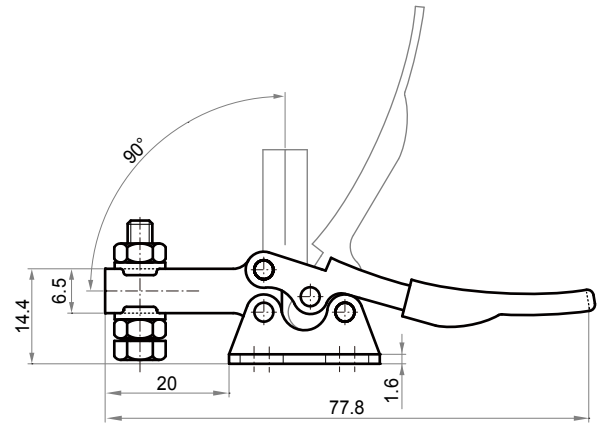
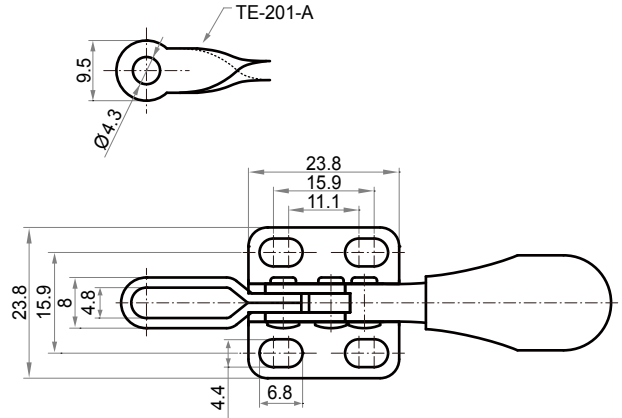
- HOLDING CAPACITY: 180kg
- SPINDLE SUPPLIED: TE-FC-56212
- BAR OPENS: 100°
- HANDLE OPENS: 60°



MODEL	DESCRIPTION	WHIGHT(g)
TE-101-D	U-BAR, FLANGED BASE, STRAIGHT HANDLE	330
TE-101-E	LONG U-BAR, FLANGED BASE, STRAIGHT HANDLE	300

TE-201 Series

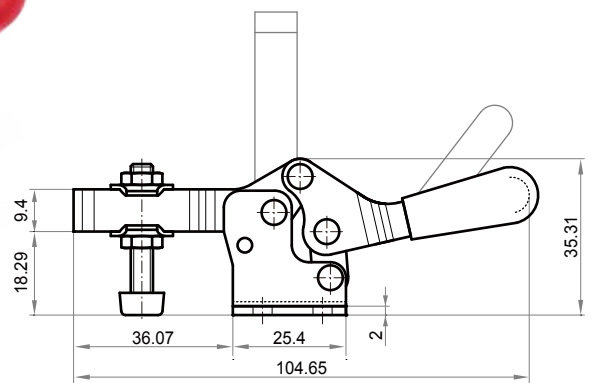
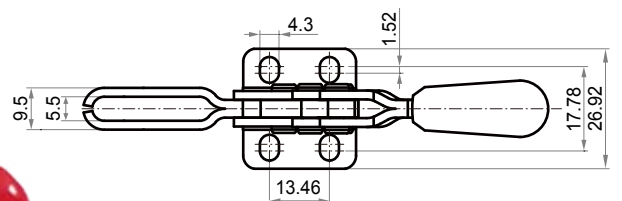
- HOLDING CAPACITY: 27kg
- SPINDLE SUPPLIED: TE-SA-08034(NYLON)
- BAR OPENS: 90°
- HANDLE OPENS: 80°



MODEL	DESCRIPTION	WEIGHT(g)
TE-201	U-BAR, FLANGED BASE	35g
TE-201-A	SOLID BAR, STRAIGHT BASE	30g

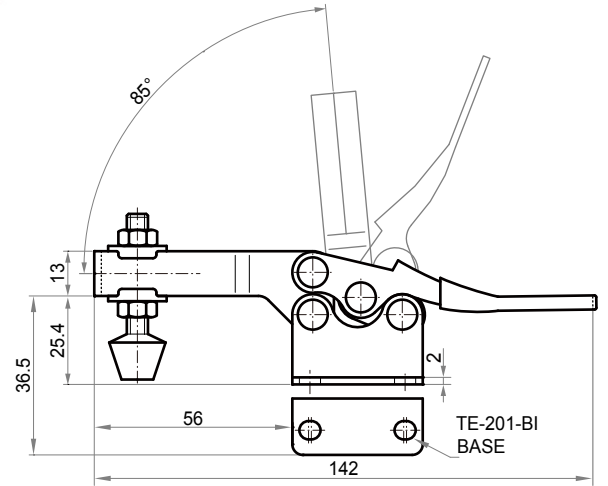
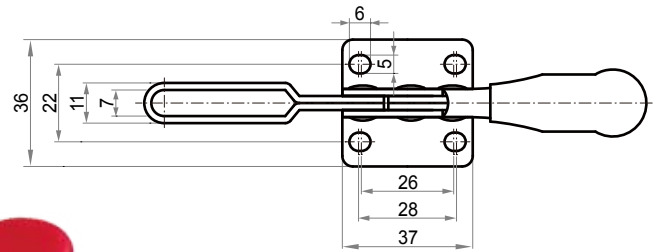
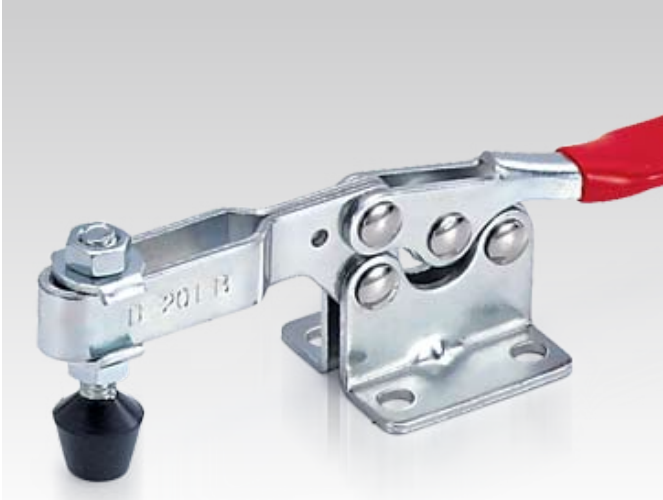
TE-20213

- WEIGHT: 77g
- HOLDING CAPACITY: 68 kg
- SPINDLE SUPPLIED: TE-FC-053508
- BAR OPENS: 90°
- HANDLE OPENS: 60°



TE-201-B Series

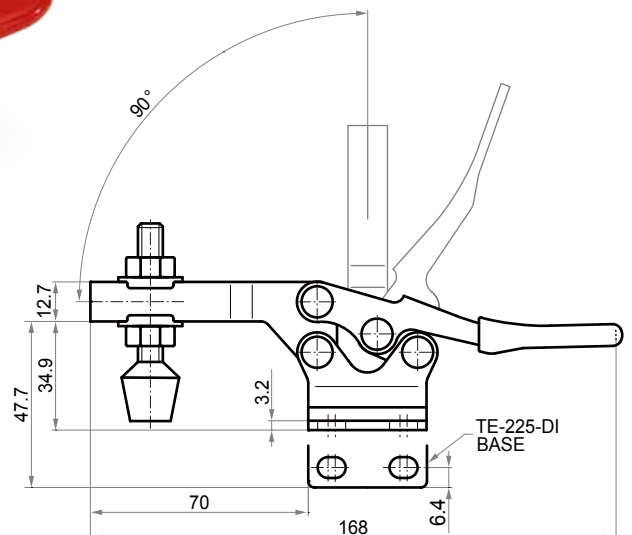
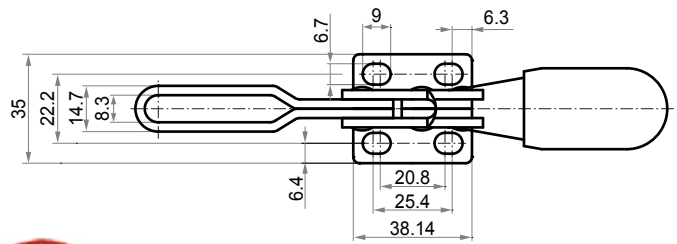
- WEIGHT: 130g
- HOLDING CAPACITY: 90kg
- SPINDLE SUPPLIED: TE-FC-14134
- BAR OPENS: 85°
- HANDLE OPENS: 60°



MODEL	DESCRIPTION
TE-201-B	U-BAR, FLANGED BASE
TE-201-BI	U-BAR, STRAIGHT BASE

TE-225-D Series

- WEIGHT: 265g
- HOLDING CAPACITY: 227kg
- SPINDLE SUPPLIED: TE-FC-56212
- BAR OPENS: 90°
- HANDLE OPENS: 65°



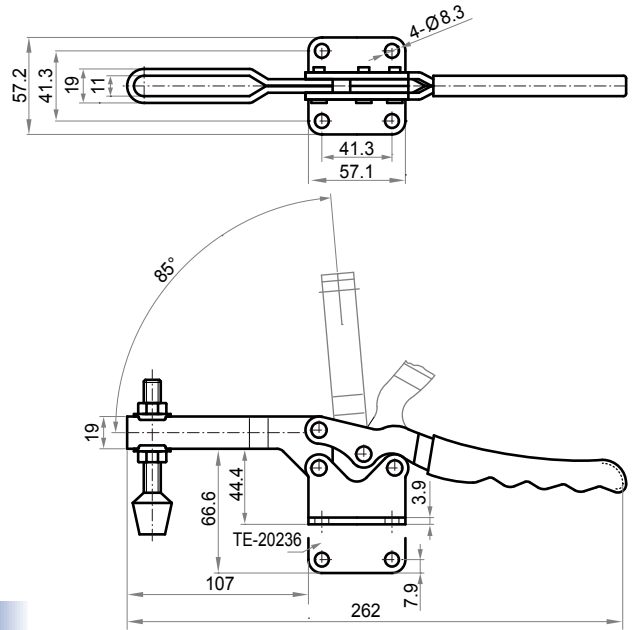
MODEL	DESCRIPTION
TE-225-D	U-BAR, FLANGED BASE
TE-225-DI	U-BAR, STRAIGHT BASE
TE-225-DS	SOLID BAR, FLANGED BASE
TE-225-DIS	SOLID BAR, STRAIGHT BASE

TE-20235 Series

- WEIGHT: 640g
- HOLDING CAPACITY: 340kg
- SPINDLE SUPPLIED: TE-FC-38312
- BAR OPENS: 85°
- HANDLE OPENS: 50°



MODEL	DESCRIPTION
TE-20235	U-BAR, FLANGED BASE
TE-20236	U-BAR, STRAIGHT BASE

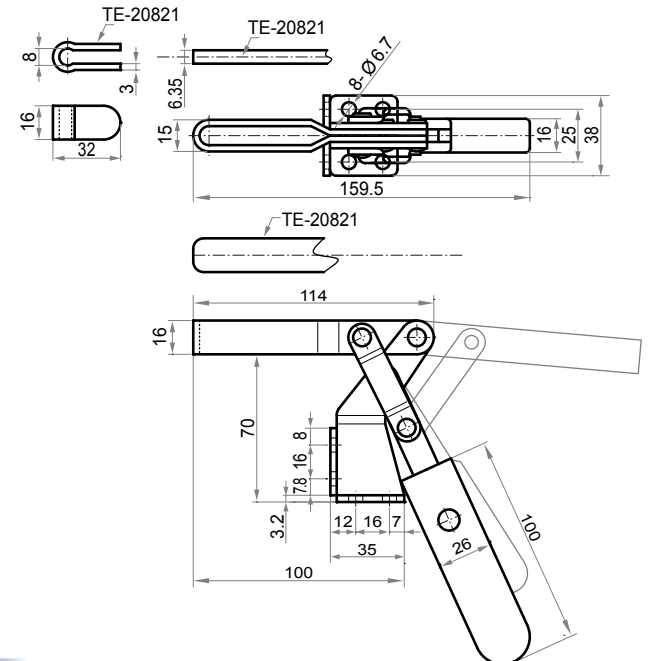


TE-20820 Series

- WHIGHT: 400g
- HOLDING CAPACITY: 100kg
- SPINDLE SUPPLIED: TE-FC-56212
- BAR OPENS: 185°
- HANDLE OPENS: 60°

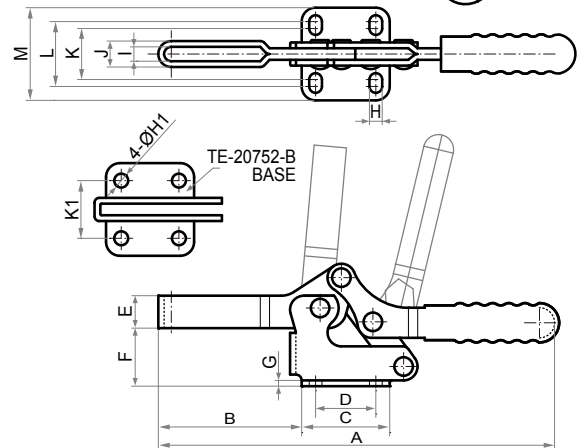


MODEL	DESCRIPTION
TE-20820	U-BAR, FLANGED BASE
TE-20821	SOLID BAR, FLANGED BASE



TE-20752-B Series

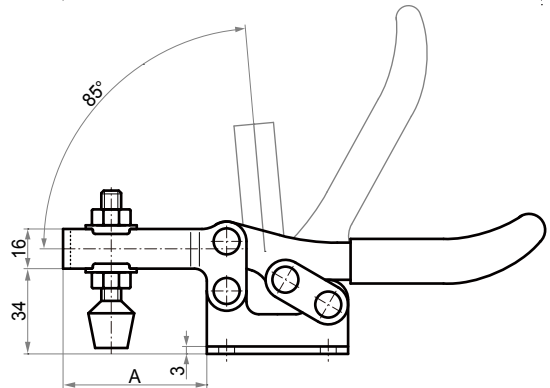
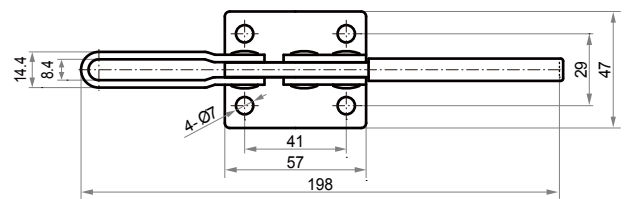
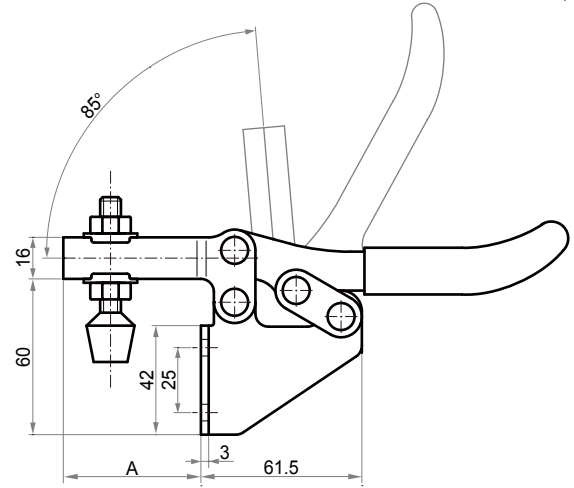
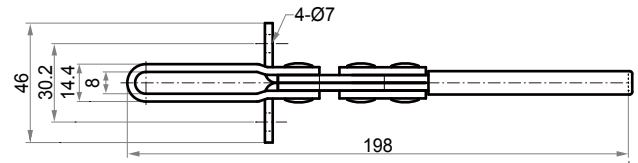
- TE-24502-B has
- Hardened bushings**
- Removable ground pins**



MODEL	WEIGHT	HOLDING CAPACITY(kg)	SPINDLE SUPPLIED	BAR OPENS	HANDLE OPENS	A	B	C	D	E	F	G	H	H1	I	J	K	K1	L	M
TE-20752-B	100	75	TE-SA-053008	94°	76°	109	37	25	13.5	9.5	19	2	-	5.2	5.8	9.8	-	16.8	-	27
TE-21502-B	230	150	TE-SA-064010			171	61.87	38	26	14	25.05	2.5	5.5	-	6.2	11.2	22	-	28	40
TE-22502-B	430	250	TE-SA-085012			219	79	42	26	17.5	34	3	6.6	-	9	15	26	-	31	47
TE-23502-B	500	350	TE-SA-107515			274	108	59	41.2	23	45	4	8.7	-	11.4	19.4	39	-	42.9	59
TE-24502-B	1400	450	TE-SA-121017			303	128	66	41.2	26	59	4	-	-	8.7	13.2	23.2	-	41.3	-

TE-202-F Series

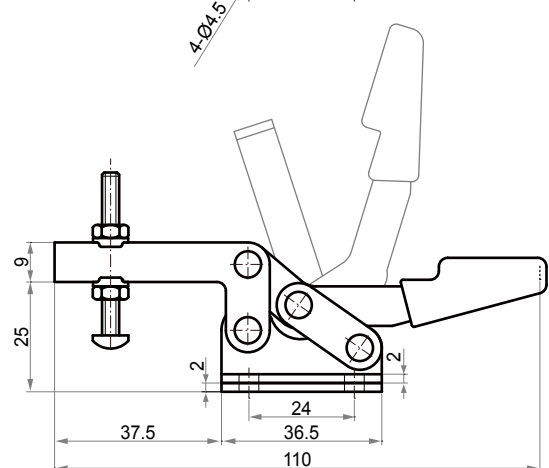
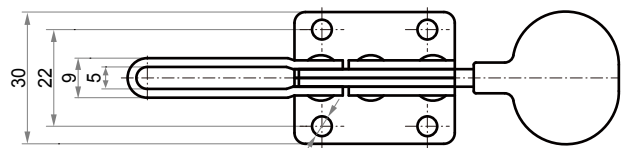
- HOLDING CAPACITY: 227kg
- SPINDLE SUPPLIED: TE-FC-56212
- BAR OPENS: 85°
- HANDLE OPENS: 58°



MODEL	DESCRIPTION	WHIGHT(g)	A
TE-202-F	U-BAR, SIDE MOUNTED	385	52
TE-202-FL	LONG U-BAR, SIDE MOUNTED	425	89
TE-203-F	U-BAR, FLANGED BASE	340	57
TE-203-FL	LONG U-BAR, FLANGED BASE	380	94

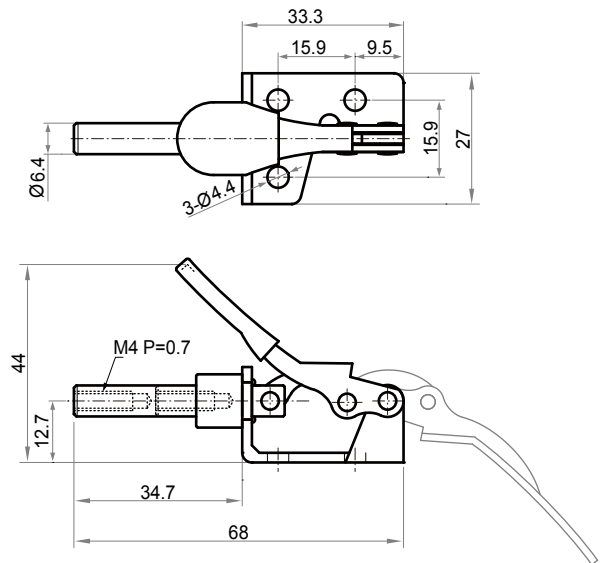
TE-20300 Series

- WEIGHT: 100g
- HOLDING CAPACITY: 30kg
- SPINDLE SUPPLIED: TE-SA-044007
- BAR OPENS: 65°
- HANDLE OPENS: 55°



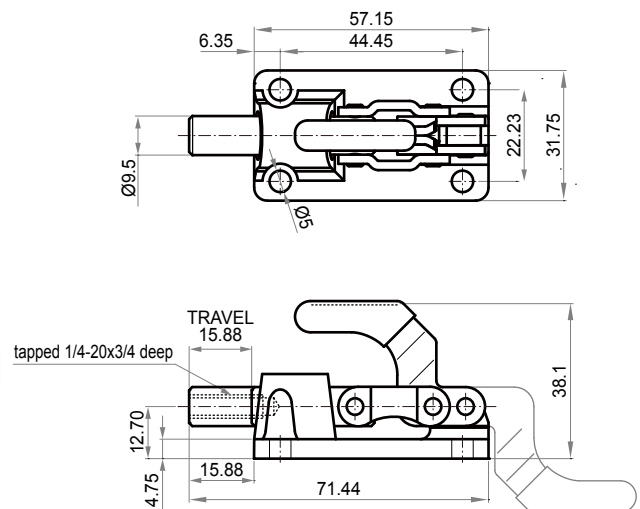
TE-301-AM

- WEIGHT: 50g
- HOLDING CAPACITY: 45kg
- SPINDLE SUPPLIED: TE-SA-042007(NYLON)
- HANDLE OPENS: 190°
- PLUNGER STROKE: 15.9mm



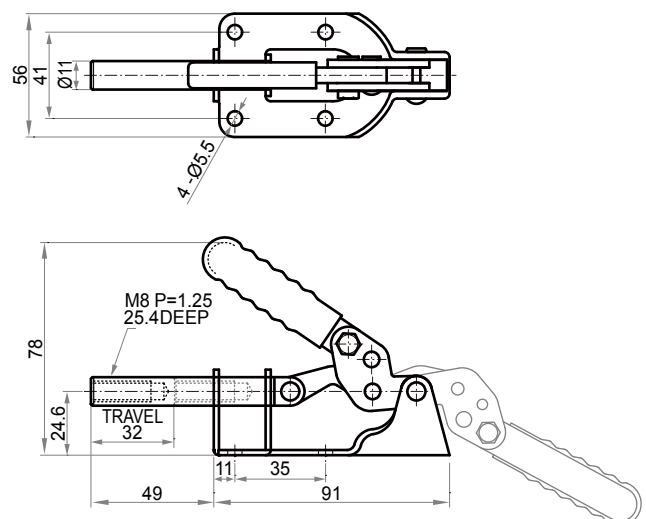
TE-300-FM

- WEIGHT: 150g
- HOLDING CAPACITY: 135kg
- SPINDLE SUPPLIED: TE-FC-14138
- HANDLE OPENS: 180°
- PLUNGER STROKE: 15.9mm



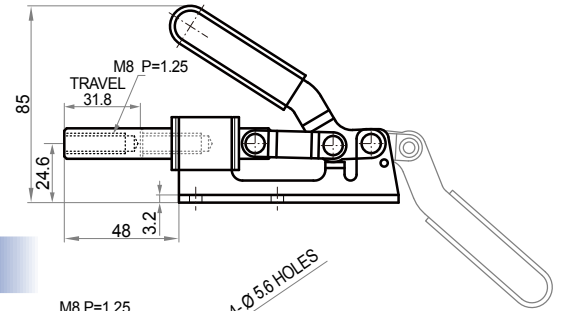
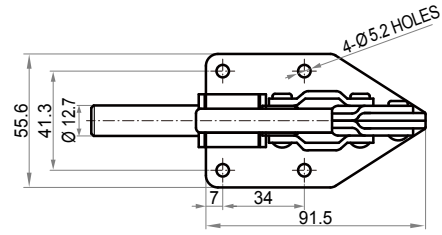
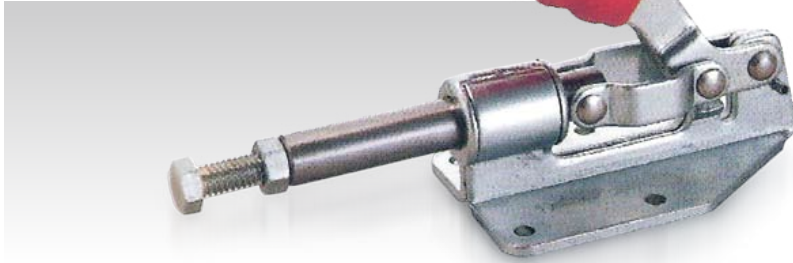
TE-302-FM

- WEIGHT: 300g
- HOLDING CAPACITY: 136kg
- SPINDLE SUPPLIED: TE-SA-085012
- HANDLE OPENS: 180°
- PLUNGER STROKE: 32mm



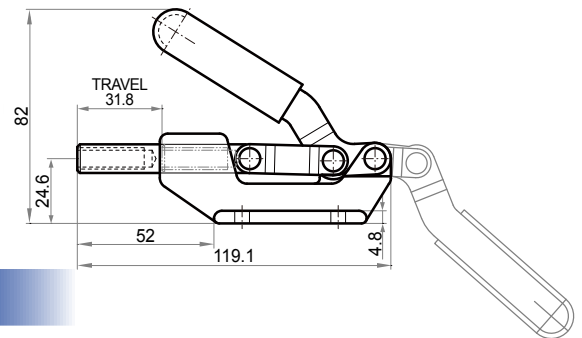
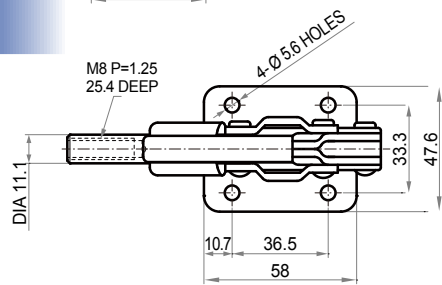
TE-36092M

- WEIGHT: 397g
- HOLDING CAPACITY: 180kg
- SPINDLE SUPPLIED: TE-SA-085012
- HANDLE OPENS: 180°
- PLUNGER STROKE: 31.8mm



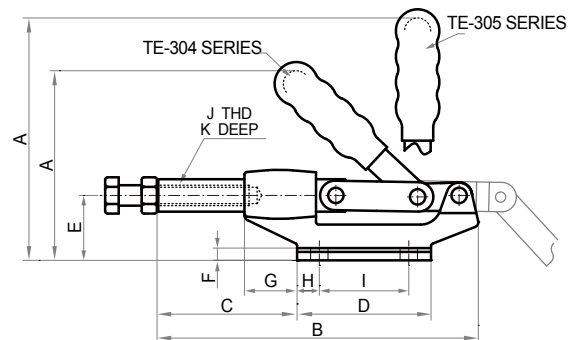
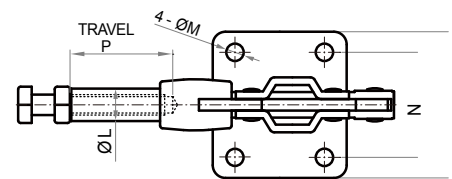
TE-36003M

- Alloy steel base
- WEIGHT: 355g
- HOLDING CAPACITY: 272kg
- SPINDLE SUPPLIED: TE-SA-085012
- HANDLE OPENS: 180°
- PLUNGER STROKE: 31.8mm



TE-304 Series

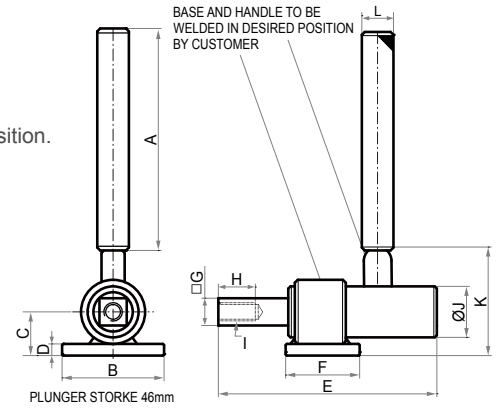
- Alloy steel base
- TE-304-HM and TE-305-HM have bushings and removable hardened ground pins.



MODEL	WEIGHT(g)	HOLDING CAPACITY(kg)	SPINDLE SUPPLIED	A	B	C	D	E	F	G	H	I	J	K	L	M	N	O	P
TE-304-CM	340	227	TE-SA-085012	74.6	125.4	52.4	52.4	25.4	4.8	20.6	8.7	35	M8	30.2	12.7	6.7	41.4	57.2	30.2
TE-304-EM	580	386	TE-SA-105015	90.5	125.4	52.4	52.4	25.4	4.8	20.6	8.7	35	P=1.25	30.2	12.7	6.7	41.4	57.2	30.2
TE-304-HM	1480	680	TE-SA-125017	98.4	158.8	81	58.8	31.8	4.8	31.8	8.7	41.4	M10	39.2	16	8.3	41.4	57.2	41.4
TE-305-CM	340	227	TE-SA-085012	122.8	158.8	81	58.8	31.8	4.8	31.8	8.7	41.4	P=1.5	39.2	16	8.3	41.4	57.2	41.4
TE-305-EM	580	386	TE-SA-105015	133.4	238.2	120.8	73.2	44.4	6.4	50.8	11.1	50.8	M12	49.2	19.2	8.3	50.8	71.4	60.4
TE-305-HM	1480	680	TE-SA-125017	171.6	238.8	120.8	73.2	44.4	6.4	50.8	11.1	50.8	P=1.75	49.2	19.2	8.3	50.8	71.4	60.4

TE-30509M Series

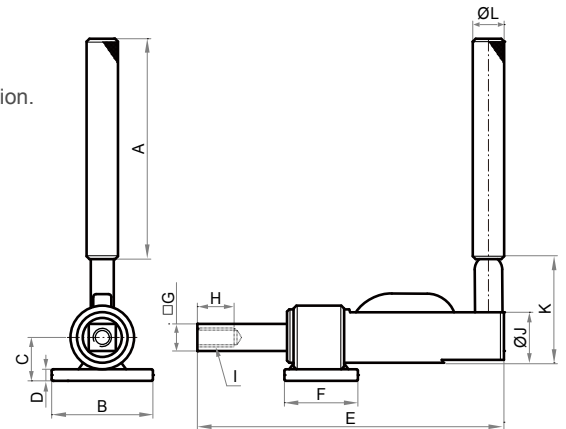
- High strength steel construction and precisely broached body for square plunger, these clamps can be used as pin locating gauges.
- Hardened steel pins and bushing are fitted at pivot points.
- Supplied with separate handle and base. Users can weld them at a desired position.
- Clamp can be mounted by drilling holes on the base or can be welded at a proper position.
- HANDLE OPENS: 80



MODEL	WEIGHT(g)	HOLDING CAPACITY(kg)	SPINDLE SUPPLIED	PLUNGER STROKE	A	B	C	D	E	F	G	H	I	J	K	L
TE-30509M	1330	1136	TE-SA-125017	46	152	70	30	8	150	50.8	19	25.4	M12 P=1.75	35	74	21.7
TE-30609M	2820	2273	TE-SA-165020	59.5	152	90.5	40	11.1	198	68.3	25	38.1	M16 P=2	45	87	27.2

TE-30519M Series

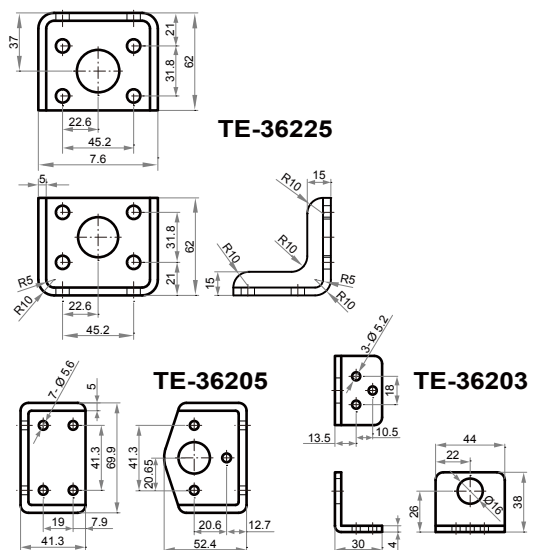
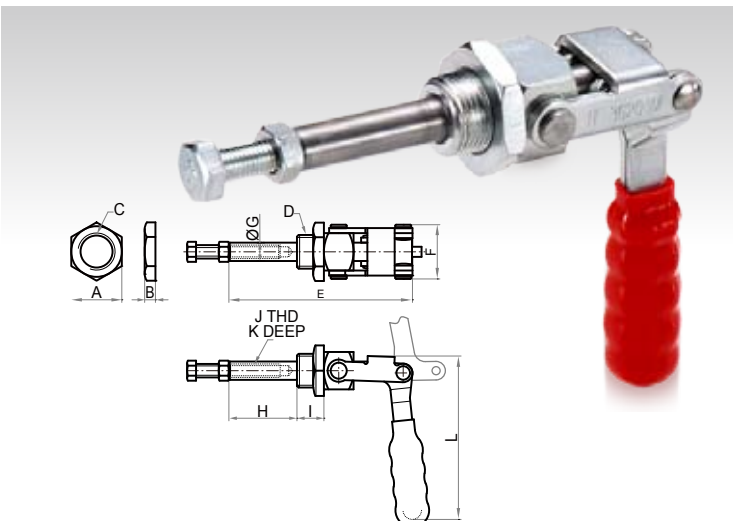
- High strength steel construction and precisely broached body for square plunger, these clamps can be used as pin locating gauges.
- Hardened steel pins and bushing are fitted at pivot points.
- Supplied with separate handle and base. Users can weld them at a desired position.
- Clamp can be mounted by drilling holes on the base or can be welded at a proper position.



MODEL	WEIGHT(g)	HOLDING CAPACITY(kg)	SPINDLE SUPPLIED	PLUNGER STROKE	A	B	C	D	E	F	G	H	I	J	K	L
TE-30519M	1640	1136	TE-SA-125017	59.5	152	70	30	8	212	50.8	19	25.4	M12 P=1.75	35	74	21.7
TE-30619M	3500	2273	TE-SA-165020	77.8	152	90.5	40	11.1	283	68.3	25	38.1	M16 P=2	45	87	27.2

TE-36202M Series

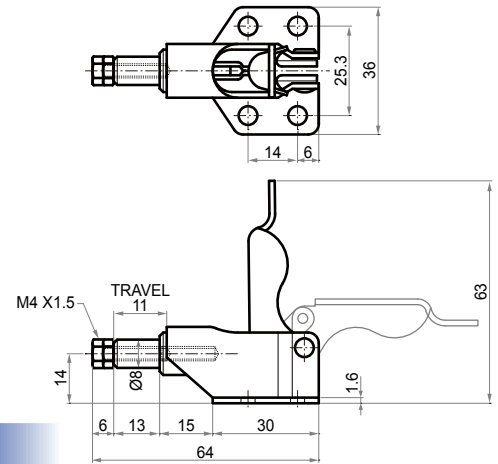
- Plunger Clamp With Threaded Collar for Mounting Through Panels or Plates



MODEL	WEIGHT(g)	HOLDING CAPACITY(kg)	SPINDLE SUPPLIED	PLUNGER STROKE	OPTIONAL MOUNTING BRACKET	A	B	C	D	E	F	G	H	I	J	K	L
TE-36202M	113	91	TE-SA-064010	19	TE-36203	23	6.4	M16 P=1.5	63	24	9.4	20.6	12.7	M6 P=1	15.8	75	
TE-36204M	270	136	TE-SA-085012	38	TE-36205	30	6.4	M20 P=1.5	115	31	11	39.7	15.9	M8 P=1.25	25.4	98	
TE-36224M	890	318	TE-SA-105015	66.8	TE-36225M	41	6.4	M27 P=2.0	169.5	39	15.8	69	22	M10 P=1.5	31.75	137	

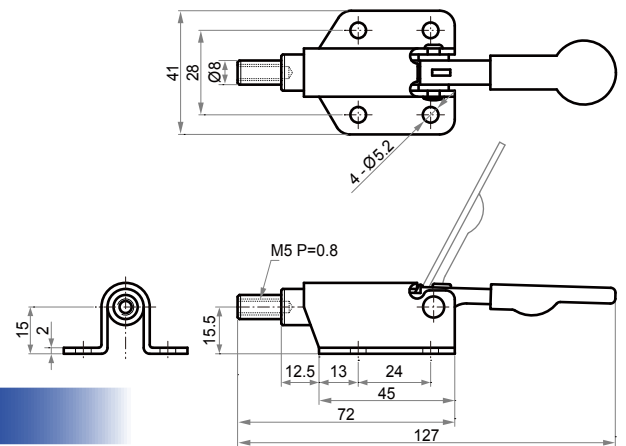
TE-36006M

- WEIGHT: 70g
- HOLDING CAPACITY: 50kg
- SPINDLE SUPPLIED: TE-SA-041507
- HANDLE OPENS: 93°
- PLUNGER STROKE: 11mm



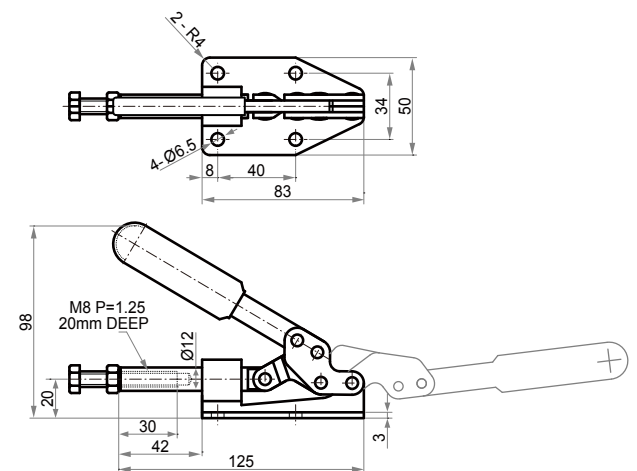
TE-36070M

- WEIGHT: 100g
- HOLDING CAPACITY: 50kg
- SPINDLE SUPPLIED: TE-SA-051508
- HANDLE OPENS: 66°
- PLUNGER STROKE: 10mm



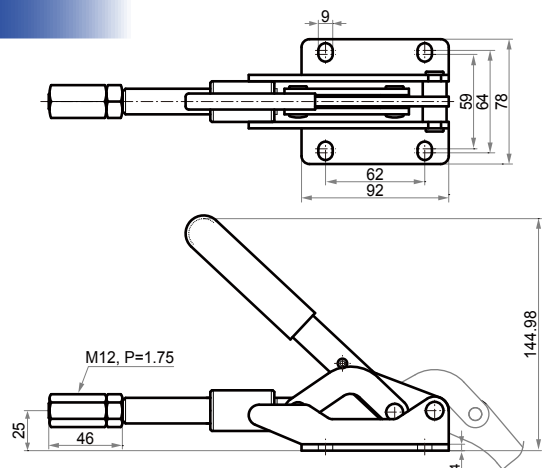
TE-36020M

- TE-36020-K has a key way to keep the plunger from rotating.
- WEIGHT: 345g
- HOLDING CAPACITY: 180kg
- SPINDLE SUPPLIED: TE-SA-085012
- HANDLE OPENS: 144.5°
- PLUNGER STROKE: 30mm

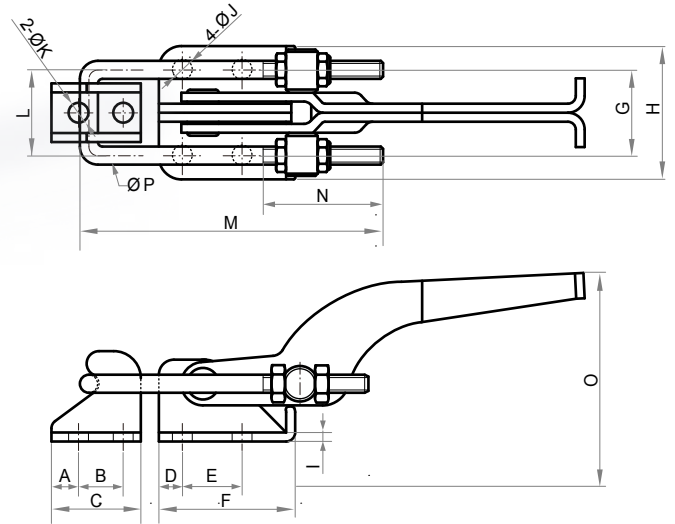
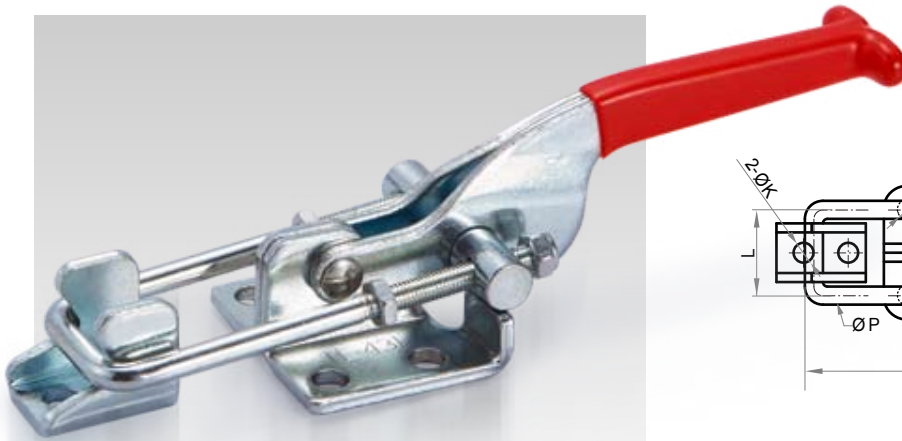


TE-303-EM

- WEIGHT: 965g
- HOLDING CAPACITY: 454kg
- HANDLE OPENS: 190°
- PLUNGER STROKE: 50mm

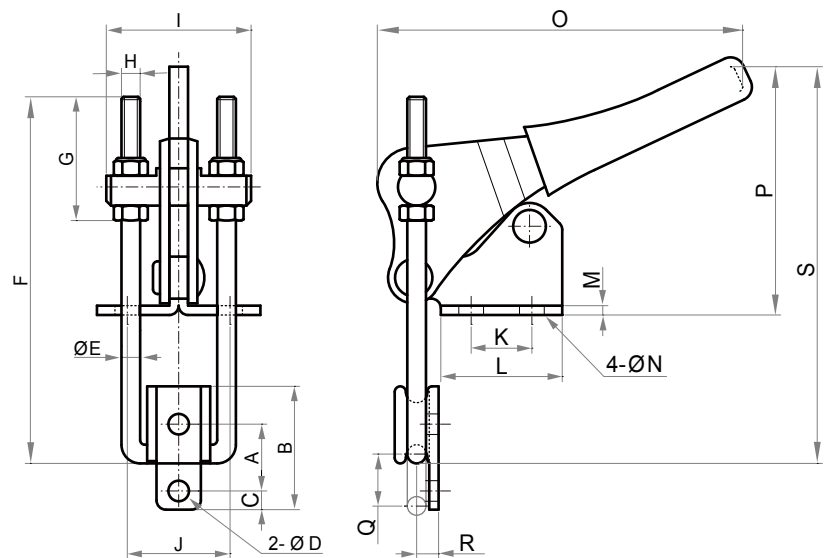


TE-40323 Series



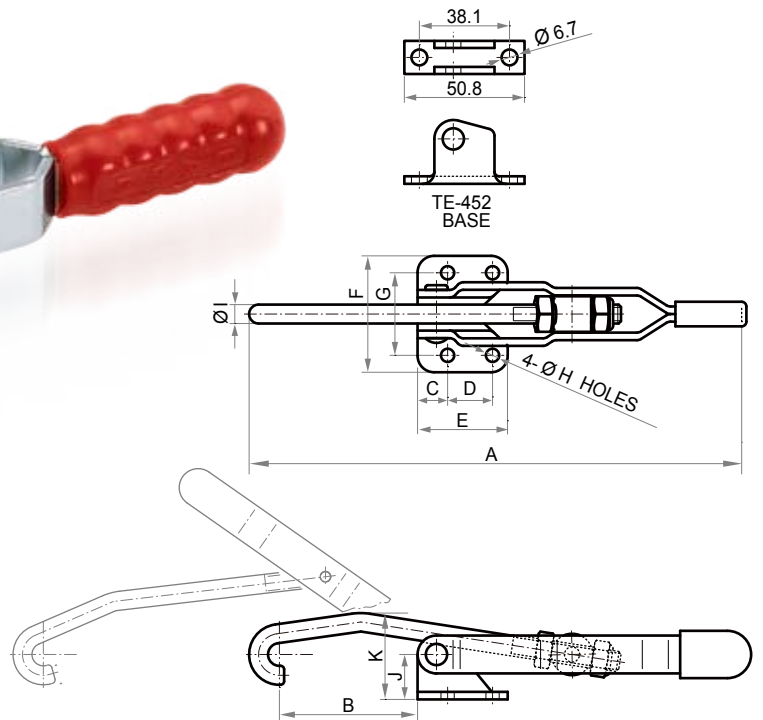
MODEL	WEIGHT(g)	HOLDING CAPACITY(kg)	A	B	C	D	E	F	G	H	I	J	K	L	M	N	O	P
TE-40323	70	163	6	9.9	19.8	5.2	15.9	26.2	19	28.2	2	4.4	4.4	19	57	24	29.3	4
TE-431	225	318	6.8	11.5	25.4	6.4	19	39.7	26.6	44.4	3.2	6.7	6.3	31.8	73	38	41.3	5
TE-40341	680	900	9.5	19.1	38.1	9.5	41.3	60.3	44.5	54	4	8.6	8.5	38.1	114.5	52	74	8

TE-40324 Series



MODEL	WEIGHT(g)	HOLDING CAPACITY(kg)	A	B	C	D	E	F	G	H	I	J	K	L	M	N	O	P	Q	R	S
TE-40324	113	225	14.3	25.4	4	4.4	4	78.5	26.5	M4 P=0.7	31	22	13	26	2	5.3	79	53.3	11.1	4.7	70
TE-40334	250	450	20.6	38.1	7.1	7.1	6.35	114	40.5	M16 P=1	41.3	25.4	19.1	33.3	3	7.1	120	61.9	17.5	8.7	102
TE-40344	900	900	27	54	9.5	8.7	7.9	154	58	M6 P=1	60.3	36.5	31.8	47.6	4	5.3	130.2	84.1	28.6	12.7	150

TE-451 Series



MODEL	WEIGHT(g)	HOLDING CAPACITY(kg)	DESCRIPTION	A	B	C	D	E	F	G	H	I	J	K
TE-451	270	170	Flanged Base	211	58.4	12.7	19	38.1	49.2	34.9	5.6	8	36.5	36.5
TE-452	255	170	Narrow Base	211	44.75	-	38.1	50.8	-	-	6.7	8	36.5	36.5

TE-40370 Series

- Forged alloy steel handle base.
- Optional latch plate available: TE-40370-LP/TE-40375-LP
- Weight: 1340g/955g
- HOLDING CAPACITY: 3400kg

